

Document Type:

Specifications

Manufacturing Site:

OEM

Reference Number:

NA

Page:

1 of 3Description (Class): **Reference, Customer Technical Data Sheet**
BD Falcon™ HTS 96-Multiwell Insert Systems

Status

Q.A. Release

Release Date:

09/17/01**APPLICATIONS:**

A single-use, automation-friendly platform used for membrane-based cellular assays.

This system consists of a 96-Multiwell Insert Plate, Lid, and Feeder Tray or Angled Bottom Plate, and is compatible with the high throughput automation systems commonly used in Drug Discovery testing.

The Multiwell Insert System will support the same cell-based assays currently supported by the individual Falcon™ or BioCoat™ cell culture inserts.

FEATURES:

- Compatible with Falcon™ 96 square well, angled bottom plate and lid (cat. # 353925)
- Compatible with common drug screening laboratory robot arms / grippers / manipulators
- Allows multiple sampling from above and below membrane with common automated fluid handler pipet tips without cross contamination of samples
- Allows even coating of membrane surface with matrix proteins
- Provides sterile environment for conducting assays
- Provides adequate gas exchange to maintain pH for conducting assays
- Free of cytotoxic components
- Upper chamber of insert plate holds from 30-70µL of media without wicking
- Lower chamber (96-well plate) holds from 250-275µL of media without wicking
- Feeder Tray holds from 25-30mL of media without wicking
- Plane of membrane lies within working distance of commonly used microscopes
- Alpha-numeric well identification

STERILITY:

- Sterile by Gamma-irradiation

RESTRICTIONS:

- Product is for Research Use Only
- Not for Diagnostic Procedures
- In general, for use with aqueous reagents used for tissue culture
- Refer to "Thermoplastics Properties Chart," available via internet at <http://www.bd.com/labware/freestuf/>

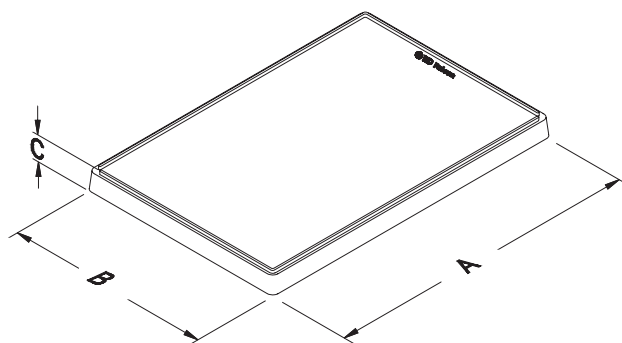


RELATED CATALOG NO'S:

[35]1130 HTS 96-Multiwell Insert System,	1 Micron PET,	Single Pack
[35]1131 HTS 96-Multiwell Insert System,	1 Micron PET,	Five Pack

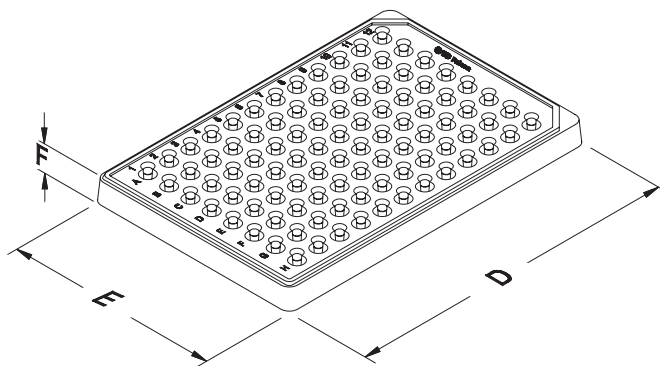
LID:

Material: PS (Polystyrene)
 Length: **A** = 127.4 mm (5.017 inches)
 Width: **B** = 85.1 mm (3.352 inches)
 Height: **C** = 7.4 mm (0.290 inches)



INSERT PLATE HOUSING:

Material: PET (Polyethylene Terephthalate)
 Length: **D** = 125.6 mm (4.945 inches)
 Width: **E** = 83.1 mm (3.270 inches)
 Height: **F** = 9.3 mm (0.365 inches)
 Ht. w/Lid only: 13.7 mm (0.540 inches)
 Ht. w/Lid & Tray: 19.1 mm (0.750 inches)

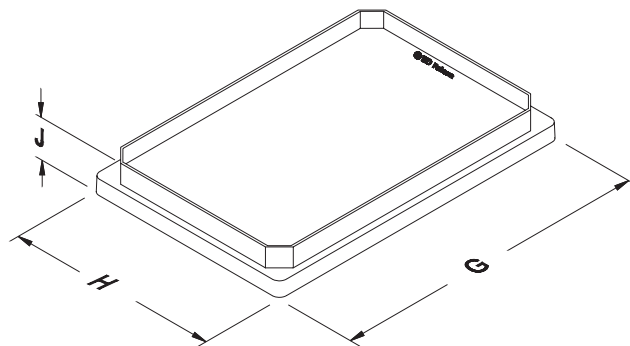


Insert Wells:

Top Interior Diameter: 5.7 mm (0.226 inches)
 Bot. Interior (Membrane) Dia: 3.2 mm (0.125 inches)
 Bot. Exterior Diameter: 5.2 mm (0.206 inches)
 Total Well Depth: 10.4 mm (0.410 inches)
 Membrane Dist. from Tray: 3.0 mm (0.120 inches)
 Well to Well Distance: 9.0 mm (0.354 inches)
 Sampling Port Diameter: 2.8 mm (0.110 inches)

FEEDER TRAY:

Material: PS (Polystyrene)
 Length: **G** = 127.8 mm (5.030 inches)
 Width: **H** = 85.5 mm (3.365 inches)
 Height: **J** = 14.4 mm (0.565 inches)
 Height w/Lid only: 16.6 mm (0.655 inches)



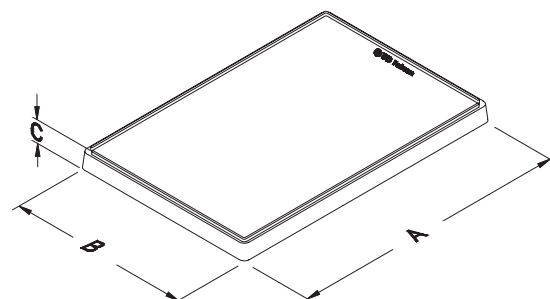


RELATED CATALOG NO'S:

[35]1132 HTS 96-Multiwell Insert System,	3 Micron PET,	Single Pack
[35]1133 HTS 96-Multiwell Insert System,	3 Micron PET,	Five Pack
[35]1134 HTS 96-Multiwell Insert System,	8 Micron PET,	Single Pack
[35]1135 HTS 96-Multiwell Insert System,	8 Micron PET,	Five Pack

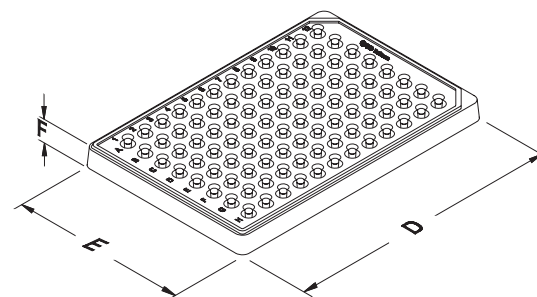
LID:

Material: PS (Polystyrene)
 Length: **A** = 127.4 mm (5.017 inches)
 Width: **B** = 85.1 mm (3.352 inches)
 Height: **C** = 7.4 mm (0.290 inches)



INSERT PLATE HOUSING:

Material: PET (Polyethylene Terephthalate)
 Length: **D** = 125.6 mm (4.945 inches)
 Width: **E** = 83.1 mm (3.270 inches)
 Height: **F** = 9.3 mm (0.365 inches)
 Ht. w/Lid only: 13.7 mm (0.540 inches)
 Ht. w/Lid & Plate: 19.3 mm (0.760 inches)

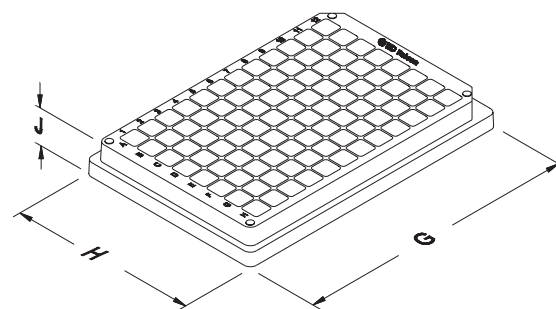


Insert Wells:

Top Interior Diameter: 5.7 mm (0.226 inches)
 Bot. Interior (Membrane) Dia: 3.2 mm (0.125 inches)
 Bot. Exterior Diameter: 5.2 mm (0.206 inches)
 Total Well Depth: 10.4 mm (0.410 inches)
 Membrane Dist. from Tray: 3.1 mm (0.120 inches)
 Well to Well Distance: 9.0 mm (0.354 inches)
 Sampling Port Diameter: 2.8 mm (0.110 inches)

Angled Bottom Plate:

Material: PS (Polystyrene)
 Length: **G** = 127.8 mm (5.030 inches)
 Width: **H** = 85.5 mm (3.365 inches)
 Height: **J** = 14.6 mm (0.575 inches)
 Height w/Lid only: 16.9 mm (0.665 inches)



REVISION HISTORY

Revision	Date	Description	ECO No.	Name
1	8/28/01	Initial Release	104374	P. Sharples